

## Surge arrester

2-electrode arrester

**Series/Type: DG2R090M**  
**Customer:**  
**Version/Date: Issue 01/2014-03-11**

**Surge arrester**

**2-Electrode arrester**

**DG2R090M**

Features	Applications
<ul style="list-style-type: none"> <li>● Extremely small size</li> <li>● Extremely fast response time</li> <li>● Excellent SMD handling</li> <li>● Stable performance over life</li> <li>● Very low capacitance</li> <li>● High insulation resistance</li> <li>● RoHS-compatible No:RLSHE001142360003</li> <li>● UL-identification, No:E357943</li> </ul>	<ul style="list-style-type: none"> <li>● Splitter</li> <li>● PCI Cards</li> <li>● Morden</li> <li>● Line cards</li> </ul>

**Electrical specifications**

DC breakdown voltage <sup>1) 2)</sup>	90 ±30	V %
Impulse breakdown voltage <sup>1)</sup> at 1kv/us -Typical values of distribution	≤650	V
Insulation resistance at DC 50V	≥1	GΩ
Capacitance at 1MHz <sup>2)</sup>	≤1	Pf
Service life <sup>3)</sup>		
10 operations                      8/20us	5	KA
10 operations                      50Hz	5	A
Weight	~0.35	g
Storage and operations temperature	-40...+125	°C
Climatic category (GB/T 9043, IEC61643-1)	40/90/21	
Marking, Blue positive	<b>2R 90</b>	



Tel: +86-510-81707285  
Fax: +86-510-81707277  
[www.dong-guang.com](http://www.dong-guang.com)

## Surge arrester

### 2-Electrode arrester

DG2R090M

1) At delivery AQL 0.65 level II ,DIN ISO 2859

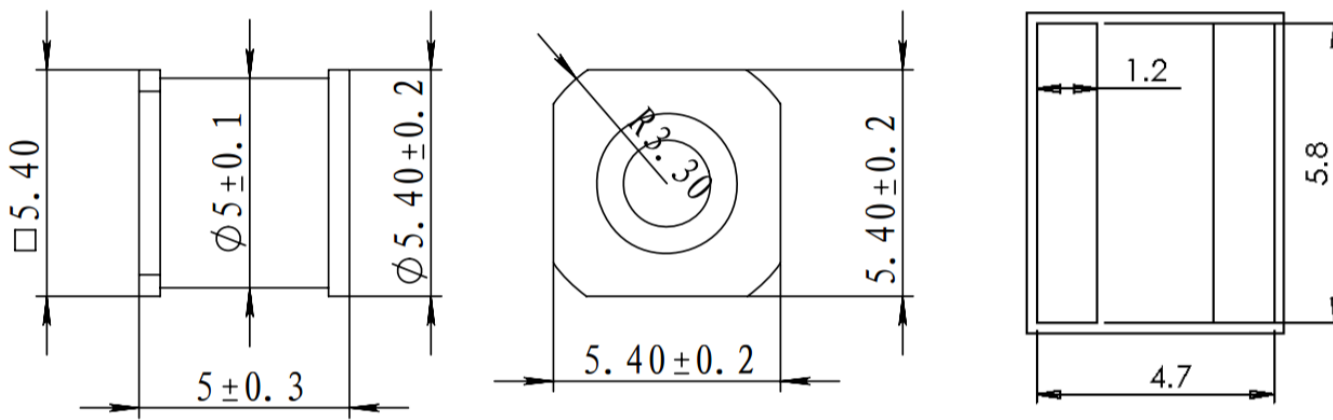
2) In ionized mode

3) DC spark-over voltage  $\pm 30\%$  after load

Tests according to ITU-T Rec. K. 12 and UL 497B

Terms and current waveforms in accordance with: ITU-T Rec. K. 12; IEC 61643-1 and DIN 57845 / VDE0845

### Dimension



Recommended pad outline

*Tin-plated*

*Dimension is mm*

### Cautions and warnings

- Depending on the incorporation position, the surge arrester may have to be additionally secured by mechanical means.
- Surge arresters must not be operated directly in power supply networks.
- Surge arresters may become hot in case of longer periods of current stress (danger of burning).
- Damaged surge arresters must not be re-used.