

| | | |
|---|--|-----------------|
| DG12N65 | | |
|  | N 沟道增强型场效应晶体管 N-CHANNEL ENHANCEMENT MODE MOSFET | 版本号 201603-A |

产品概述 General Description

DG12N65是N沟道增强型场效应晶体管，应用了东晨电子的相关技术，采用自对准平面工艺及先进的终端耐压技术，降低了导通损耗，提高了开关特性，增强了雪崩耐量。该产品能应用于多种功率开关电路，使得电源能效更高，系统更加小型化。

DG12N65 is an N-channel enhancement mode MOSFET, which is produced using Dongchen Electronics' s proprietary. The self-aligned planar process and improved terminal technology reduce the conduction loss, improve switching performance and enhance the avalanche energy. The transistor can be used in various power switching circuit for higher efficiency and system miniaturization.

主要参数 MAIN CHARACTERISTICS

| | | |
|--------------|------|----------|
| V_{DSS} | 650 | V |
| I_D | 11.5 | A |
| $R_{DS(ON)}$ | 0.65 | Ω |
| Cr_{SS} | 18 | pF |

产品特性

- 低Crss
- 低栅极电荷
- 开关速度快
- 高抗ESD能力
- 高抗dv/dt能力
- 100%雪崩测试

应用领域

- 高频开关电源
- 电子镇流器
- UPS电源

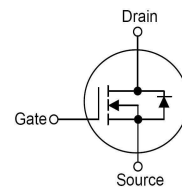
FETURES

- Low Crss
- Low gate charge
- Fast switching
- Improved ESD capability
- Improved dv/dt capability
- 100% avalanche energy test

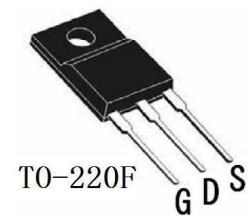
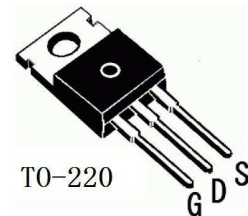
APPLICATIONS

- High efficiency swith mode power supplies
- Electronic lamp ballasts
- UPS

符号 Symbol



封装 Package





绝对最大额定值 ABSOLUTE MAXIMUM RATINGS (Tc=25°C)

| 参数名称 Parameter | 符号 Symbol | 数值 Value | 单位 Unit |
|--|-----------------------------------|---------------|------------|
| 漏极-源极直流电压 Drain-Source Voltage | V _{DSS} | 650 | V |
| 连续漏极电流 Continues Drain Current | I _D | Tc=25°C | 11.5* |
| | | Tc=100°C | 6.8* |
| 最大脉冲漏极电流 (注 1) Plused Drain Current (note 1) | I _{DM} | 46 | A |
| 最高栅源电压 Gate-to-Source Voltage | V _{GS} | ±30 | V |
| 单脉冲雪崩能量 (注2) Single Pulsed Avalanche Energy (note2) | E _{AS} | 590 | mJ |
| 雪崩电流 (注 1) Avalanche Current (note 1) | I _{AR} | 11 | A |
| 重复雪崩能量 (注 1) Repetitive Avalanche Energy (note 1) | E _{AR} | 20 | mJ |
| 二极管反向恢复最大电压变化速率 (注3) Peak Diode Recovery (note3) | dv/dt | 4.5 | V/ns |
| 耗散功率 Power Dissipation | P _D Tc=25°C | TO-220 | 240 |
| | | TO-220F | 50 |
| 耗散功率减额因子 Power Dissipation Derating Factor | P _{D(DF)} Above 25°C | TO-220 | 2.0 |
| | | TO-220F | 0.4 |
| 最高结温及存储温度 Operating and Storage Temperature Range | T _J , T _{STG} | 150, -55~+150 | °C |
| 引线最高焊接温度 Maximum Temperature for Soldering | T _L | 300 | °C |

热特性 THERMAL CHARACTERIATIC

| 参数名称 Parameter | 符号 Symbol | 最大 Max | 单位 Unit |
|--|----------------------|---------------|------------|
| 结到管壳的热阻 Thermal Resistance, Junction to Case | R _{th(j-c)} | TO-220/TO-262 | 0.52 |
| | | TO-220F | 2.5 |
| 结到环境的热阻 Thermal Resistance, Junction to Ambient | R _{th(j-A)} | TO-220 | 62.5 |
| | | TO-220F | 62.5 |

* 漏极电流由最高结温限制 Drain current limited by maximum junction temperature



电特性 ELECTRICAL CHARACTERISTICS

| 关断特性 Off-Characteristics | | | | | | |
|---|--------------------------------------|---|-----------|------------|-----------|---------------|
| 参数名称 Parameter | 符号 Symbol | 测试条件 Tests Conditions | 最小 Min | 典型 Type | 最大 Max | 单位 Unit |
| 漏极-源极击穿电压 Drain-Source Breakdown Voltage | BV_{DSS} | $I_D=250\mu A, V_{GS}=0V$ | 600 | - | - | V |
| 击穿电压温度特性 Breakdown Voltage Temperature Coefficient | $\frac{\Delta BV_{DSS}}{\Delta T_J}$ | $I_D=250\mu A$, referenced to $25^\circ C$ | - | 0.7 | - | V/ $^\circ C$ |
| 零栅压下漏极漏电流 Zero Gate Voltage Drain Current | I_{DSS} | $V_{DS}=650V, V_{GS}=0V, T_C=25^\circ C$ | - | - | 1 | μA |
| | | $V_{DS}=520V, T_C=125^\circ C$ | - | - | 10 | |
| 正向栅极体漏电流 Gate-body leakage current, forward | I_{GSSF} | $V_{DS}=0V, V_{GS}=30V$ | - | - | 100 | nA |
| 反向栅极体漏电流 Gate-body leakage current, reverse | I_{GSSR} | $V_{DS}=0V, V_{GS}=-30V$ | - | - | -100 | nA |

| 通态特性 On-Characteristics | | | | | | |
|---|--------------|--------------------------------|-----------|------------|-----------|------------|
| 参数名称 Parameter | 符号 Symbol | 测试条件 Tests Conditions | 最小 Min | 典型 Type | 最大 Max | 单位 Unit |
| 阈值电压 Gate Threshold Voltage | $V_{GS(th)}$ | $V_{DS}=V_{GS}, I_D=250\mu A$ | 2.0 | - | 4.0 | V |
| 静态导通电阻 Static Drain-Source On-Resistance | $R_{DS(on)}$ | $V_{GS}=10V, I_D=6.0A$ | - | 0.65 | 0.75 | Ω |
| 正向跨导 Forward Transconductance | g_s | $V_{DS}=40V, I_D=6.0A$ (note4) | - | 10 | - | S |

| 动态特性 Dynamic Characteristics | | | | | | |
|--|--------------|-----------------------------------|-----------|------------|-----------|------------|
| 参数名称 Parameter | 符号 Symbol | 测试条件 Tests Conditions | 最小 Min | 典型 Type | 最大 Max | 单位 Unit |
| 输入电容 Input capacitance | C_{iss} | $V_{DS}=25V, V_{GS}=0V, f=1.0MHz$ | - | 1887 | 2507 | pF |
| 输出电容 Output capacitance | C_{oss} | | - | 188 | 243 | pF |
| 反向传输电容 Reverse transfer capacitance | C_{rss} | | - | 18 | 28 | pF |



开关特性 Switching Characteristics

| 参数名称 Parameter | 符号 Symbol | 测试条件 Tests Conditions | 最小 Min | 典型 Type | 最大 Max | 单位 Unit |
|-------------------------|--------------|--|-----------|------------|-----------|------------|
| 延迟时间Turn-On delay time | $t_{d(on)}$ | $V_{DD}=32.5V, I_D=12A, R_G=25\Omega$ (note 4, 5) | - | 78 | 102 | ns |
| 上升时间Turn-On rise time | t_r | | - | 133 | 175 | ns |
| 延迟时间Turn-Off delay time | $t_{d(off)}$ | | - | 233 | 310 | ns |
| 下降时间Turn-Off Fall time | t_f | | - | 105 | 180 | ns |
| 栅极电荷总量Total Gate Charge | Q_g | $V_{DS}=520V, I_D=12A, V_{GS}=10V$ (note 4, 5) | - | 55 | 70 | nC |
| 栅-源电荷Gate-Source charge | Q_{gs} | | - | 10 | - | nC |
| 栅-漏电荷Gate-Drain charge | Q_{gd} | | - | 25 | - | nC |

漏-源二极管特性及最大额定值

Drain-Source Diode Characteristics and Maximum Ratings

| 参数名称 Parameter | 符号 Symbol | 测试条件 Tests Conditions | 最小 Min | 典型 Type | 最大 Max | 单位 Unit |
|---|--------------|---|-----------|------------|-----------|------------|
| 正向最大连续电流 Maximum Continuous Drain-Source Diode Forward Current | | I_S | - | - | 12 | A |
| 正向最大脉冲电流 Maximum Pulsed Drain-Source Diode Forward Current | | I_{SM} | - | - | 48 | A |
| 正向压降 Drain-Source Diode Forward Voltage | V_{SD} | $V_{GS}=0V, I_S=12A$ | - | - | 1.4 | V |
| 反向恢复时间 Reverse recovery time | t_{rr} | $V_{GS}=0V, I_S=12A$ $di/dt=100A/\mu s$ (note 4) | - | 450 | - | ns |
| 反向恢复电荷 Reverse recovery charge | Q_{rr} | | - | 4.9 | - | μC |

注释:

- 1: 脉冲宽度由最高结温限制
- 2: $L=9mH, I_{AS}=11A, V_{DD}=50V, R_G=25\Omega$, 起始结温 $T_J=25^\circ C$
- 3: $I_{SD} \leq 12A, di/dt \leq 300A/\mu s, V_{DD} \leq BV_{DSS}$, 起始结温 $T_J=25^\circ C$
- 4: 脉冲测试: 脉冲宽度 $\leq 300\mu s$, 占空比 $\leq 2\%$
- 5: 基本与工作温度无关

Notes:

- 1: Pulse width limited by maximum junction temperature
- 2: $L=9mH, I_{AS}=10A, V_{DD}=50V, R_G=25\Omega$, Starting $T_J=25^\circ C$
- 3: $I_{SD} \leq 12A, di/dt \leq 300A/\mu s, V_{DD} \leq BV_{DSS}$, Starting $T_J=25^\circ C$
- 4: Pulse Test: Pulse Width $\leq 300\mu s$, Duty Cycle $\leq 2\%$
- 5: Essentially independent of operating temperature

特征曲线 ELECTRICAL CHARACTERISTICS (curves)

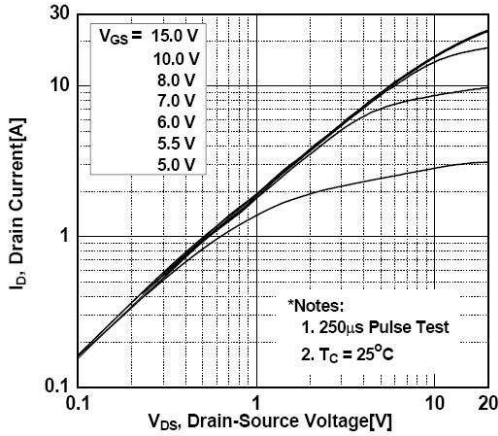


图1. 输出特性曲线
Fig. 1 On-State Characteristics

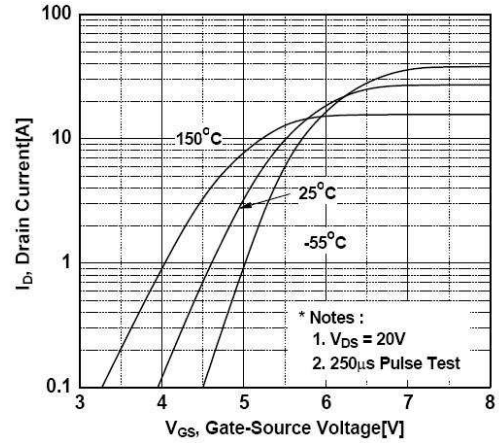


图2. 传输特性曲线
Fig. 2 Transfer Characteristics

图3. 击穿电压随温度变化曲线
Fig. 3 Breakdown Voltage Variation vs Temperature

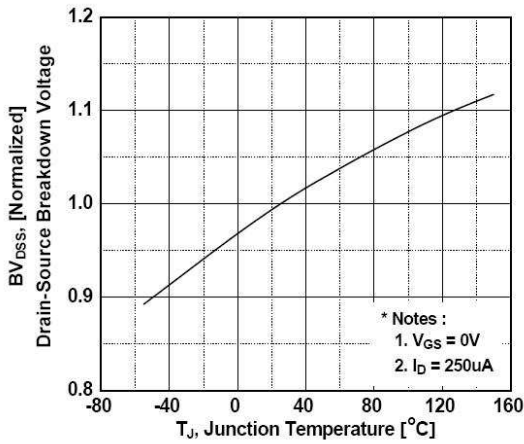


图4. 导通电阻随温度变化曲线
Fig. 4 On-Resistance Variation vs Temperature

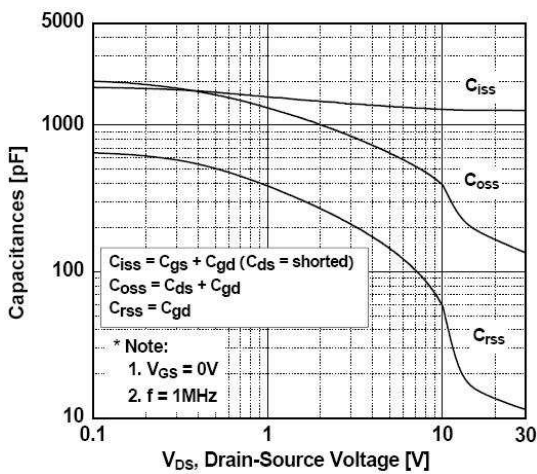
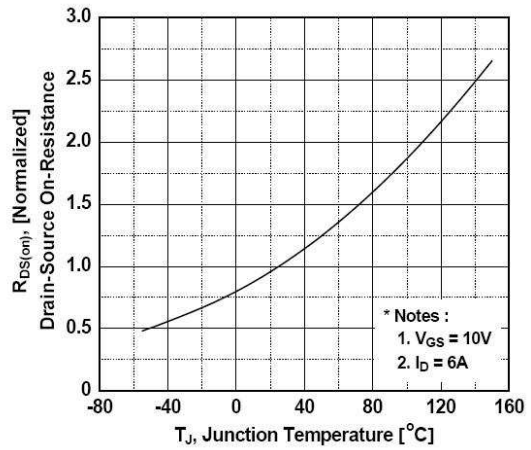


图5. 电容特性曲线
Fig. 5 Capacitance Characteristics

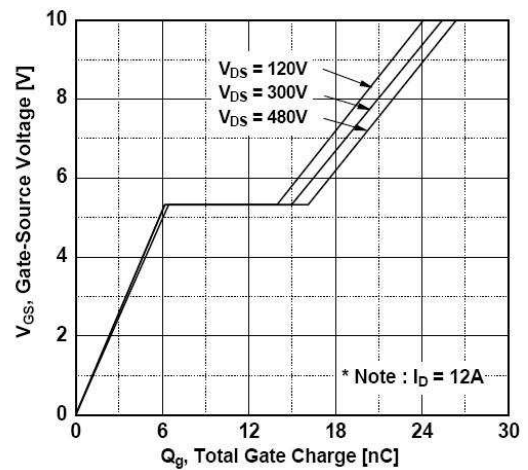


图6. 栅电荷特性曲线
Fig. 6 Gate Charge Characteristics

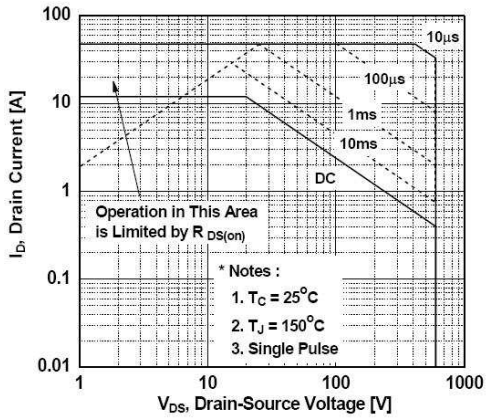


图7. 最大安全工作区
 Fig. 7 Maximum Safe Operating Area

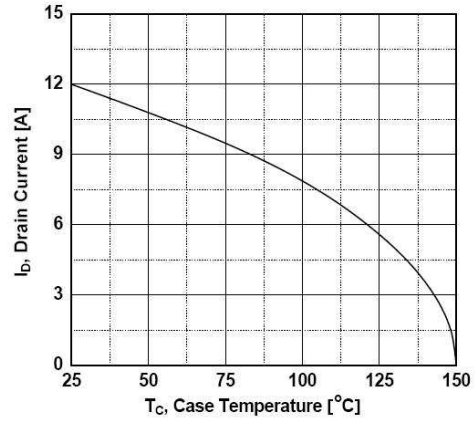


图8. 最大漏极电流随温度变化曲线
 Fig. 8 Maximum Drain Current vs Case Temperature

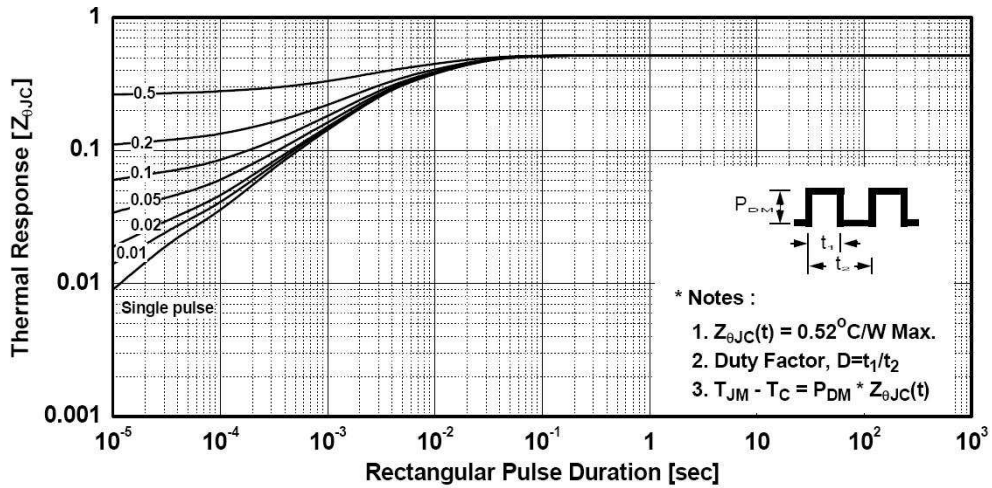


图9. 瞬态热响应曲线(TO-220)
 Fig. 9 Transient Thermal Response Curve(TO-220)

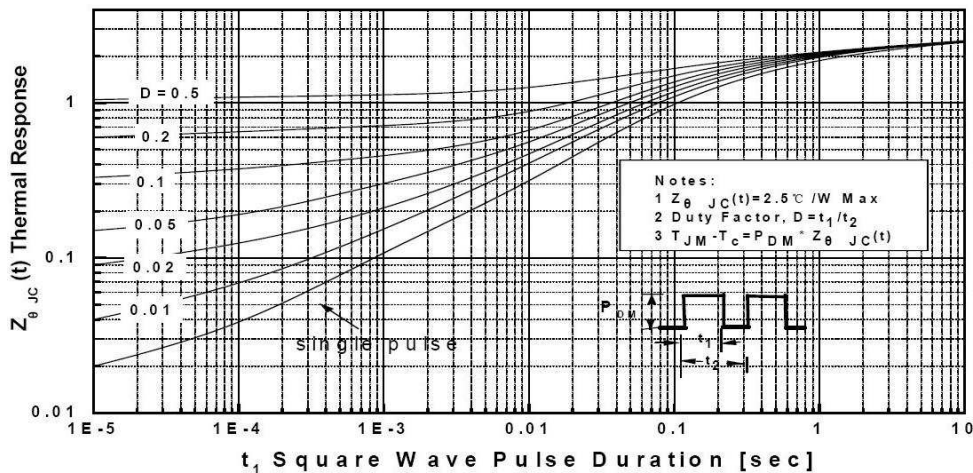


图10. 瞬态热响应曲线(TO-220F)
 Fig. 10 Transient Thermal Response Curve(TO-220F)

测试电路及波形 TEST CIRCUITS AND WAVEFORMS

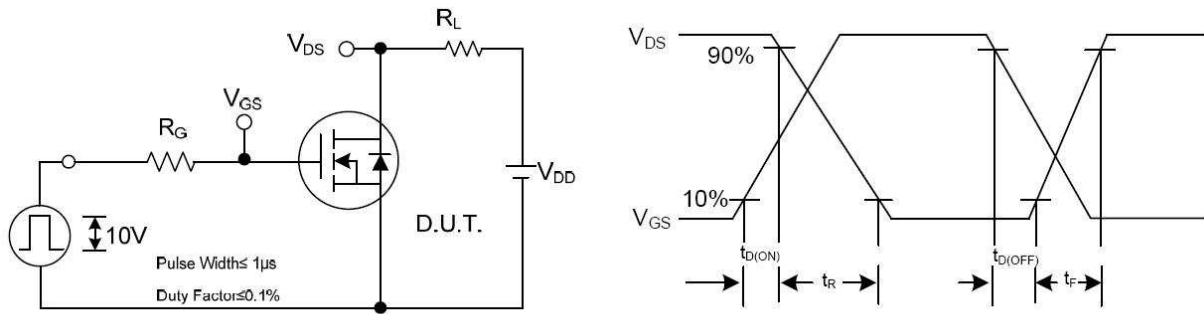


图11. 开关特性测试

Fig.11 Resistive Switching Test Circuit & Waveforms

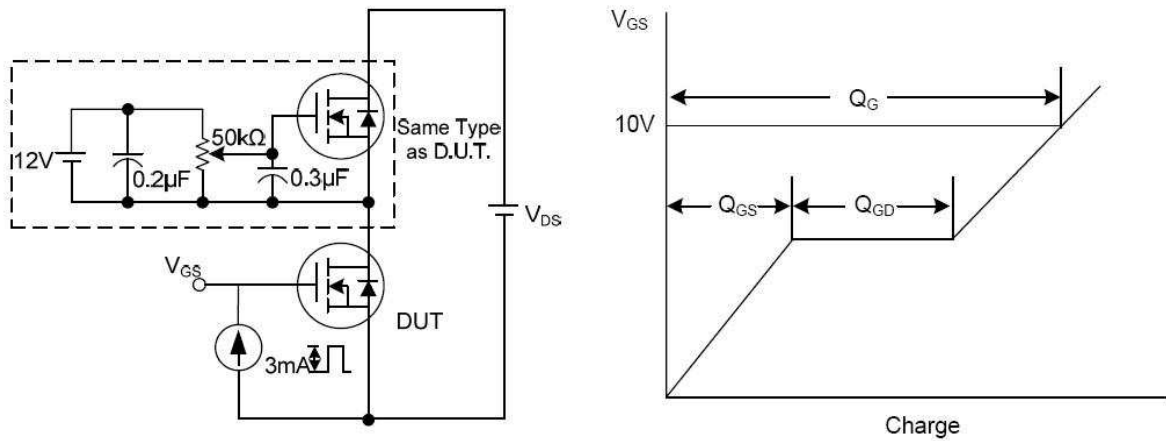


图12. 栅电荷测试

Fig.12 Gate Charge Test Circuit & Waveform

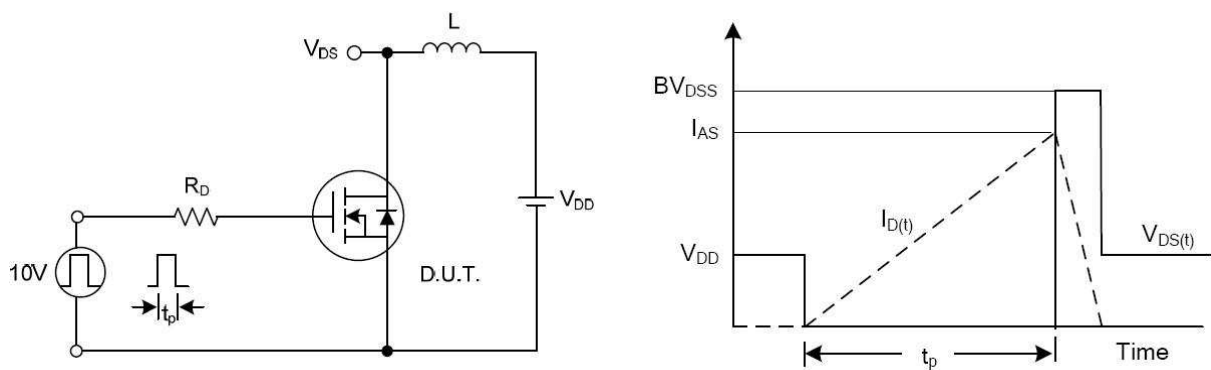


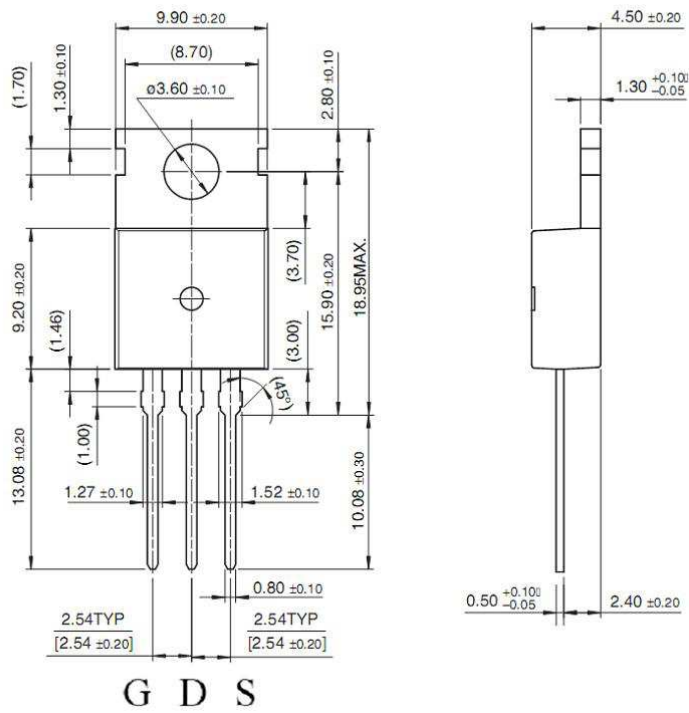
图13. 雪崩能量测试

Fig.13 Unclamped Inductive Switching Test Circuit & Waveforms

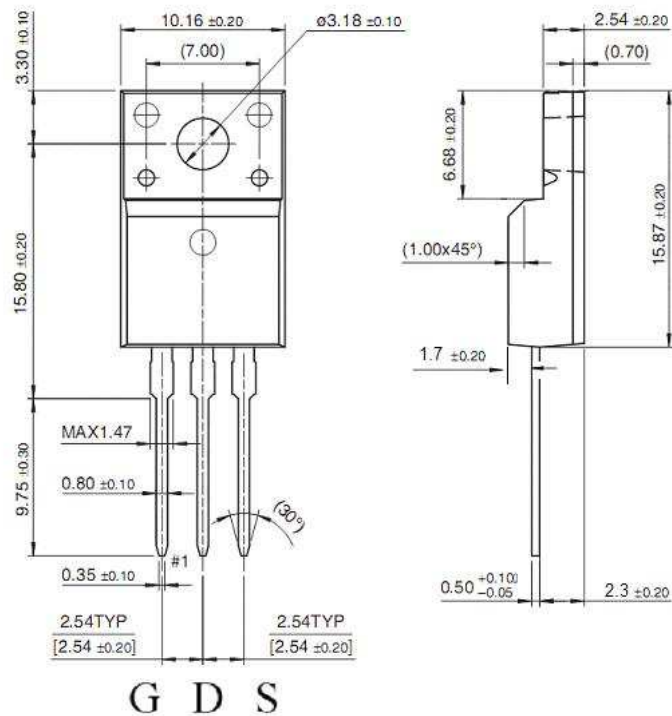
封装尺寸 TP PACKAGE MECHANICAL DATA



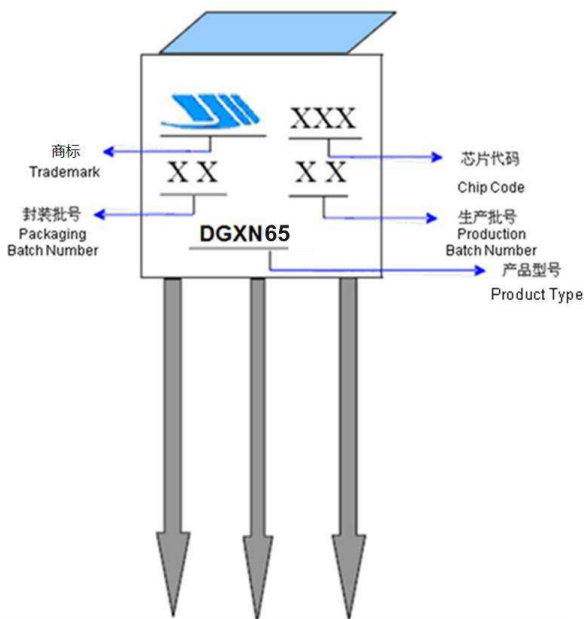
TO-220



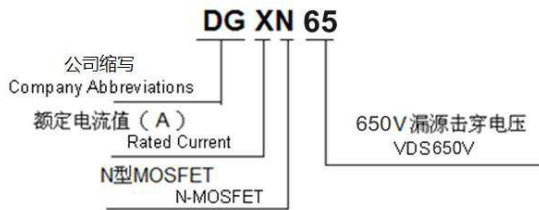
TO-220F



产品标记说明 Product labels



产品型号命名规则: Product Naming Rules



修改履历 Revision History

| 修改时间 Date | 修改内容 Content modification | 旧版本 Last Rev. | 新版本 New Rev. |
|--------------|------------------------------|------------------|-----------------|
| | | | |
| | | | |

注意事项 Note

- 1、 在应用中，如果超出最大额定值使用势必会导致器件损伤，甚至造成永久失效，这将影响到整机系统的可靠性。建议在器件的80%最大额定值范围内使用。
 - 2、 在安装散热片的时候，请注意扭矩及散热片的平整度。
 - 3、 VDMOS是静电敏感型器件，在使用过程中需要采取必要的保护措施，以防器件遭受静电损伤。
 - 4、 本说明书如有版本变更不另行通知。
1. Exceeding the maximum ratings of the device in performance may cause damage to the device , even the permanent failure, which may affect the dependability of the machine. It is suggested to be used under 80 percent of the maximum ratings of the device.
 2. When installing the heatsink , please pay attention to the torsional moment and the smoothness of the heatsink.
 3. VDMOSFETs is the device which is sensitive to the static electricity , it is necessary to protect the device from being damaged by the static electricity when using it.
 4. This publication is made by Dongchen Electronics and subject to regular change without notice.